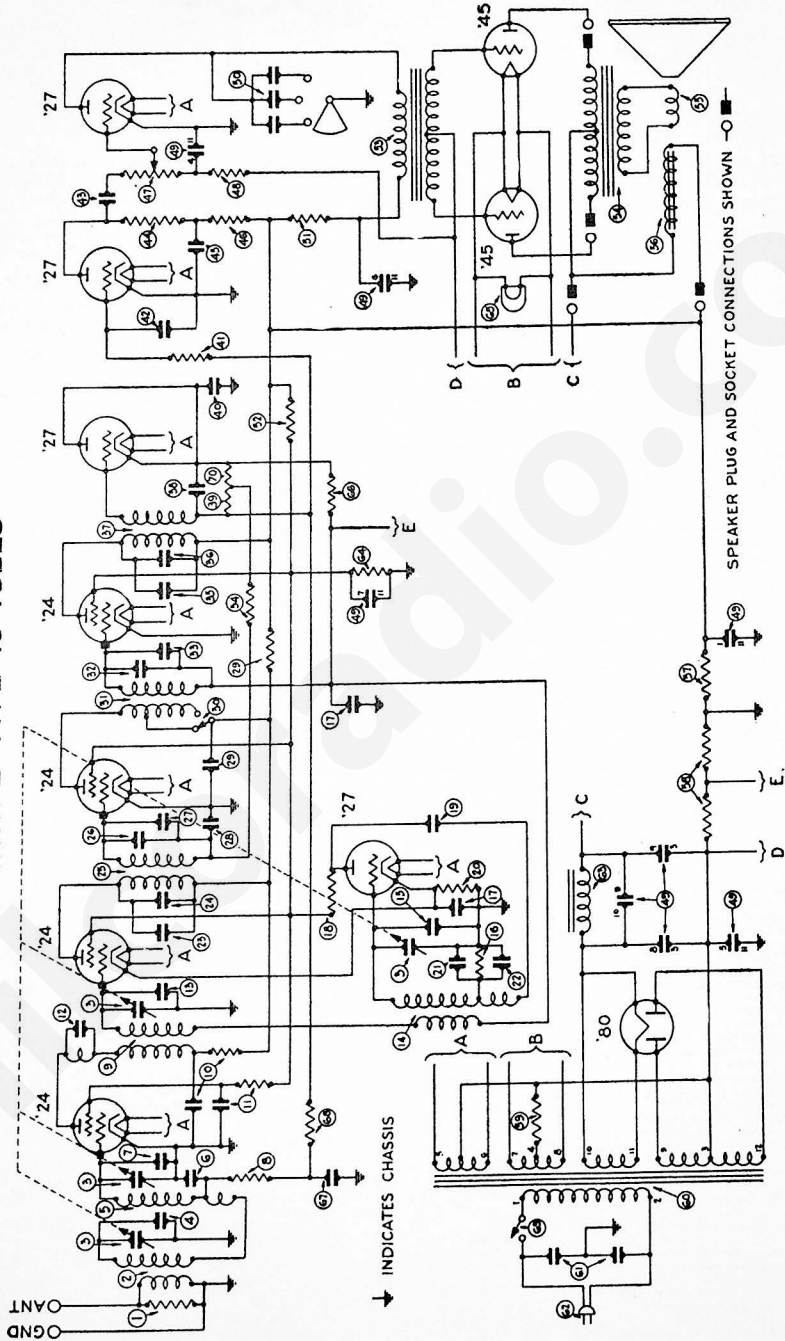
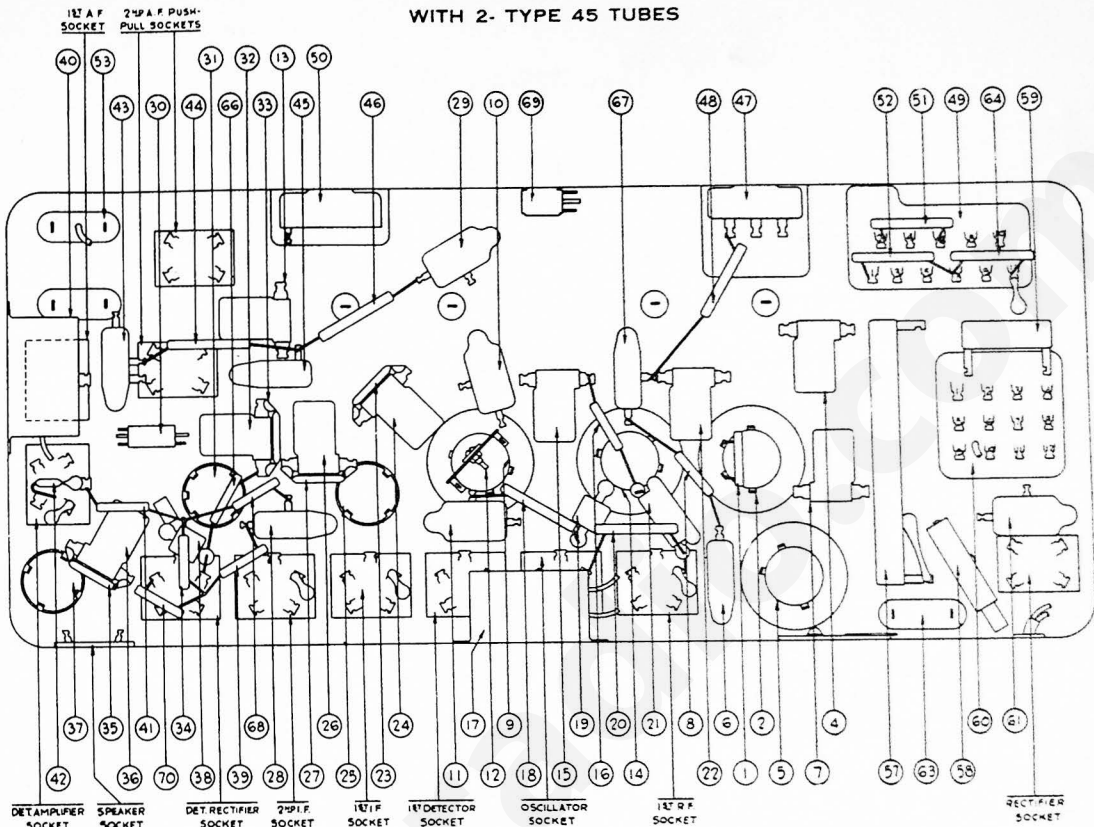


# MODELS 112 AND 112-A

WITH 2- TYPE 45 TUBES



## MODELS 112 AND 112-A WITH 2- TYPE 45 TUBES



### REPLACEMENT PARTS

No. on Figs. 3 and 4	Description	Part No.	No. on Figs. 3 and 4	Description	Part No.
①	Resistor—10,000 Ohms	4412	Ⓚ	Condenser—.5	3533
②	1st R. F. Coil	3884-J	Ⓛ	Resistor—100,000 Ohms	4411
③	Tuning Condenser	4000-D	Ⓜ	Condenser—00025	3082
④	Compensating Condenser	3772-A	Ⓝ	Condenser—.015	3793-B
⑤	2nd R. F. Coil	3884-T	Ⓞ	Resistor—500,000 Ohms	3769
⑥	Condenser—.05	3615-L	Ⓟ	Condenser—.05	3615-N
⑦	Compensating Condenser	3968-A	Ⓠ	Resistor—250,000 Ohms	3768
⑧	Resistor—100,000 Ohms	4411	Ⓡ	Volume Control	4093
⑨	1st Detector Coil	3884-V	Ⓢ	Resistor—70,000 Ohms	3542
⑩	Condenser—.05 and 250 Ohms	3615-C	Ⓣ	B Filter Condenser Block—60 cycles	3754
⑪	Condenser—.05 and 250 Ohms	3615-C	Ⓤ	B Filter Condenser Block—25 cycles	3755
⑫	Coupling Condenser	3892-A	Ⓡ	Tune Control	1037-A
⑬	Compensating Condenser	3968-A	Ⓢ	Resistor—25,000 Ohms	3656
⑭	Oscillator Coil	3884-U	Ⓣ	Resistor—25,000 Ohms	3656
⑮	Compensating Condenser	3968-A	Ⓤ	Push-pull Input Transformer	3537
⑯	Resistor—50,000 Ohms	4518	Ⓡ	Push-pull Output Transformer	2850
⑰	Condenser—.25 double	3557	Ⓢ	Voice Coil and Cone Assembly	2794-B
⑱	Resistor—13,000 Ohms	3766	Ⓣ	Field Coil	2850
⑲	Condenser—00011	4519	Ⓤ	B Resistor—10,000 Ohms	4532
⑳	Resistor—1,000 Ohms	4590	Ⓡ	C Resistor	3764
㉑	Condenser—.0007	4520	Ⓢ	C Resistor—800 Ohms	3763
㉒	Compensating Condenser	3772-B	Ⓣ	Power Transformer—60 cycles	4446
㉓	Condenser—00011	4519	Ⓤ	Power Transformer—25 cycles	4447
㉔	Compensating Condenser	3772-C	Ⓡ	Condenser—.015 double	3793-E
㉕	1st I. F. Coil	4501-B	Ⓢ	A C Cord and Plug	L-943-A
㉖	Compensating Condenser	3772-C	Ⓣ	Filter Choke	3422
㉗	Condenser—0001	4519	Ⓤ	Resistor—70,000 Ohms	3542
㉘	Compensating Condenser	3615-B	Ⓡ	Pilot Lamp	3463
㉙	Condenser—.05	3116	Ⓢ	Resistor—100,000 Ohms	4411
㉚	Condenser—.05 and 250 Ohms	4501-C	Ⓣ	Condenser—.05	3615-D
㉛	Range Switch	3772-C	Ⓤ	Resistor—100,000 Ohms	4411
㉜	2nd I. F. Coil	4519	Ⓡ	On-Off Switch	4095
㉝	Compensating Condenser	4517	Ⓢ	Resistor 50,000 Ohms	4518
㉞	Condenser—500,000 Ohms	4587	Ⓣ	Resistor for Part Nos. 3557-3583	4105
㉟	Condenser—.00005	4587	Ⓤ	Insulator for Part Nos. 3557-3583	4027-A
Ⓛ	Compensating Condenser	3772-D	Ⓡ	Pilot Bracket Assembly	W-439
Ⓜ	3rd I. F. Coil	4501-D	Ⓢ	Bolt for Pilot Bracket Assembly	W-434
Ⓝ	Condenser—00011	4519	Ⓣ	Tone Control Nut	W-443
Ⓞ	Resistor—50,000 Ohms	4518	Ⓤ	By-pass Condenser Mounting Bolt	W-453
			Ⓡ	Bottom Shield Bolt	W-468
			Ⓢ	Chassis Mounting Bolt	W-468